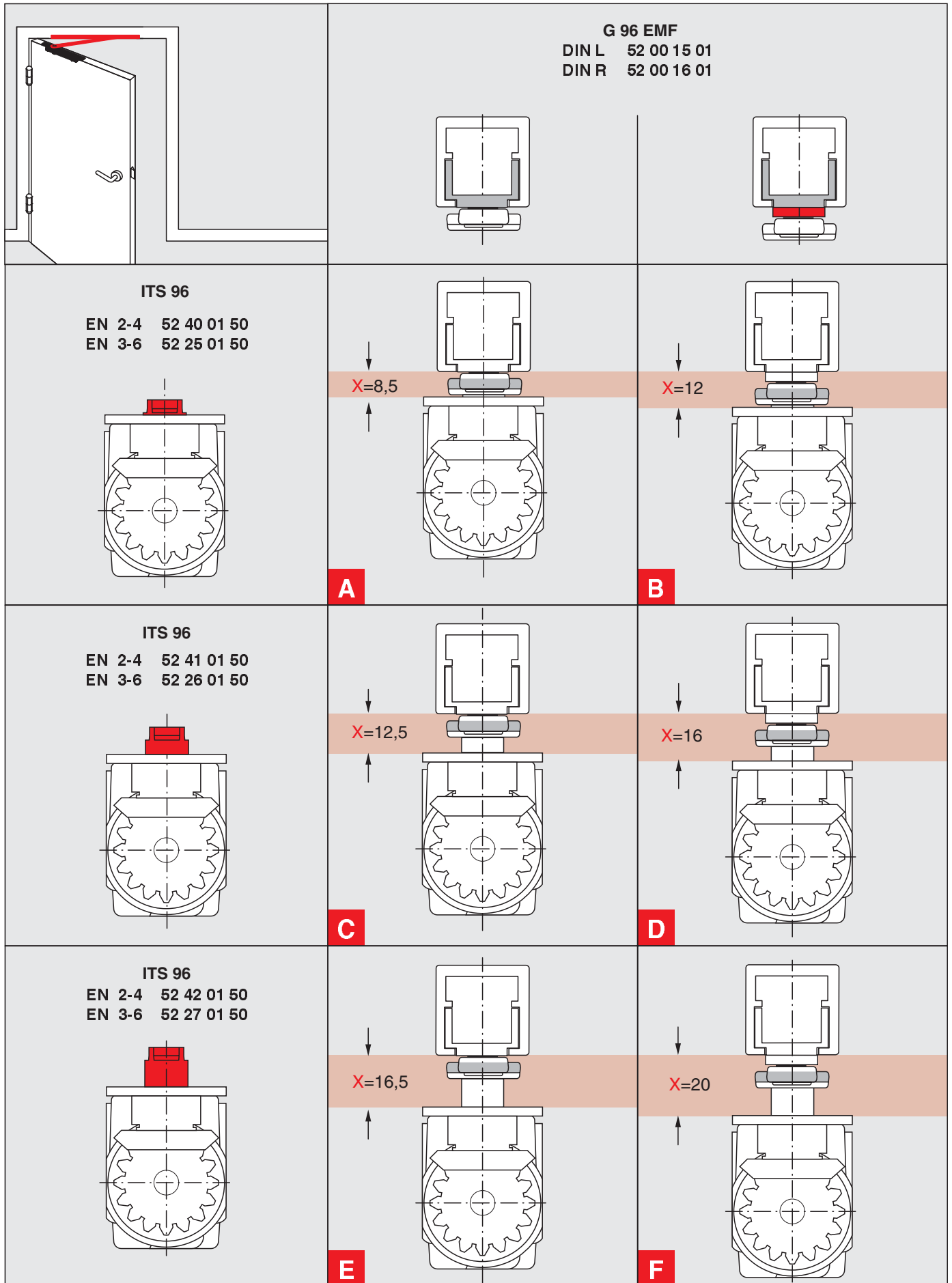
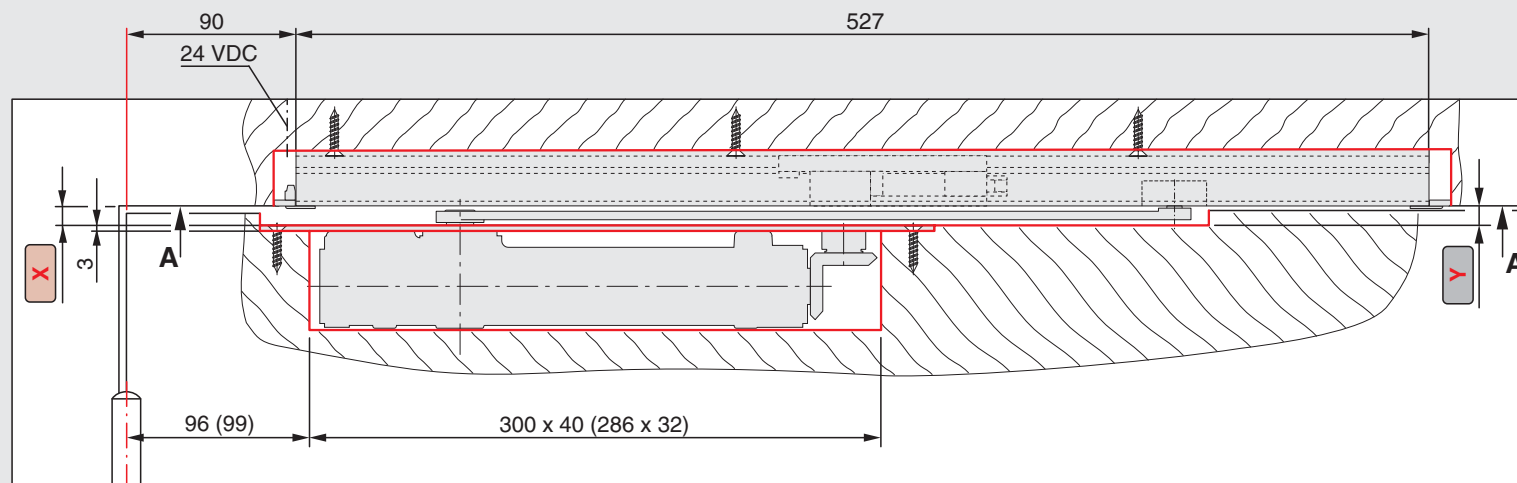
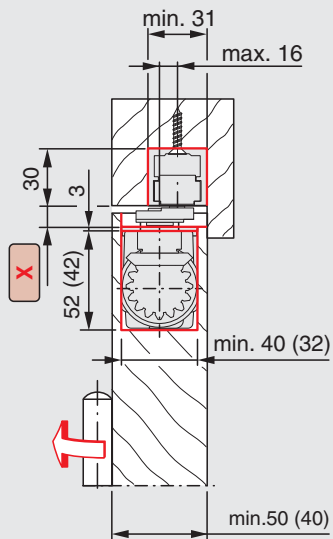


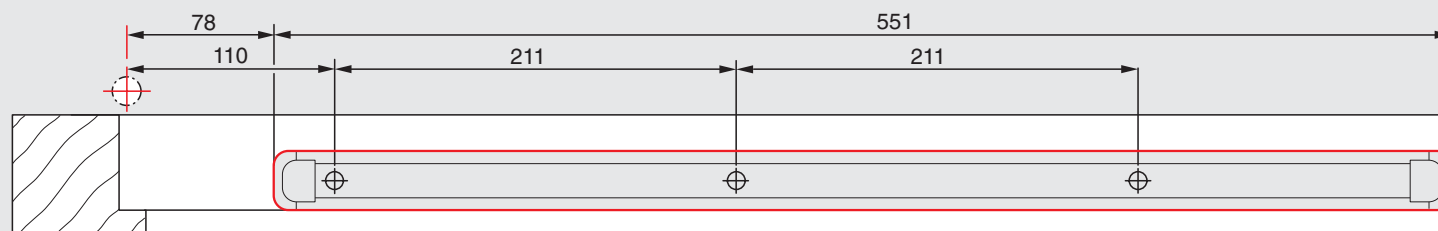
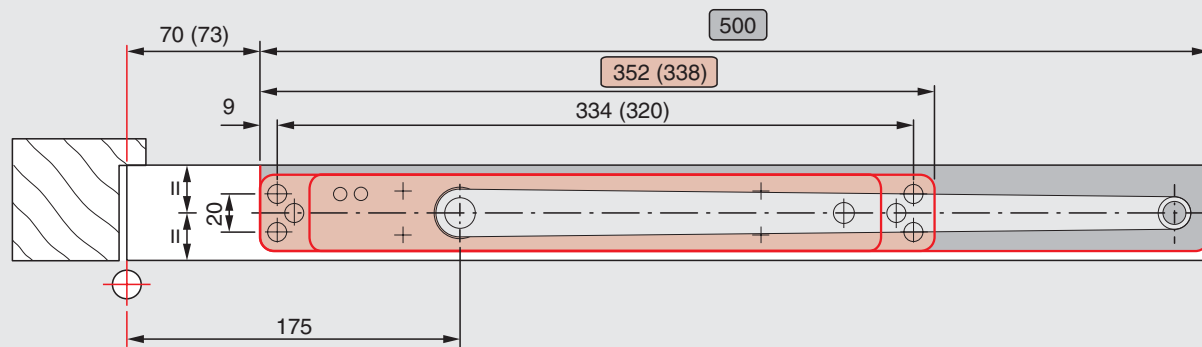
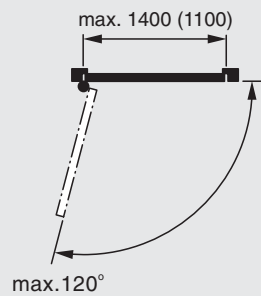
# DORMA ITS 96 EMF EN 2-4 EN 3-6





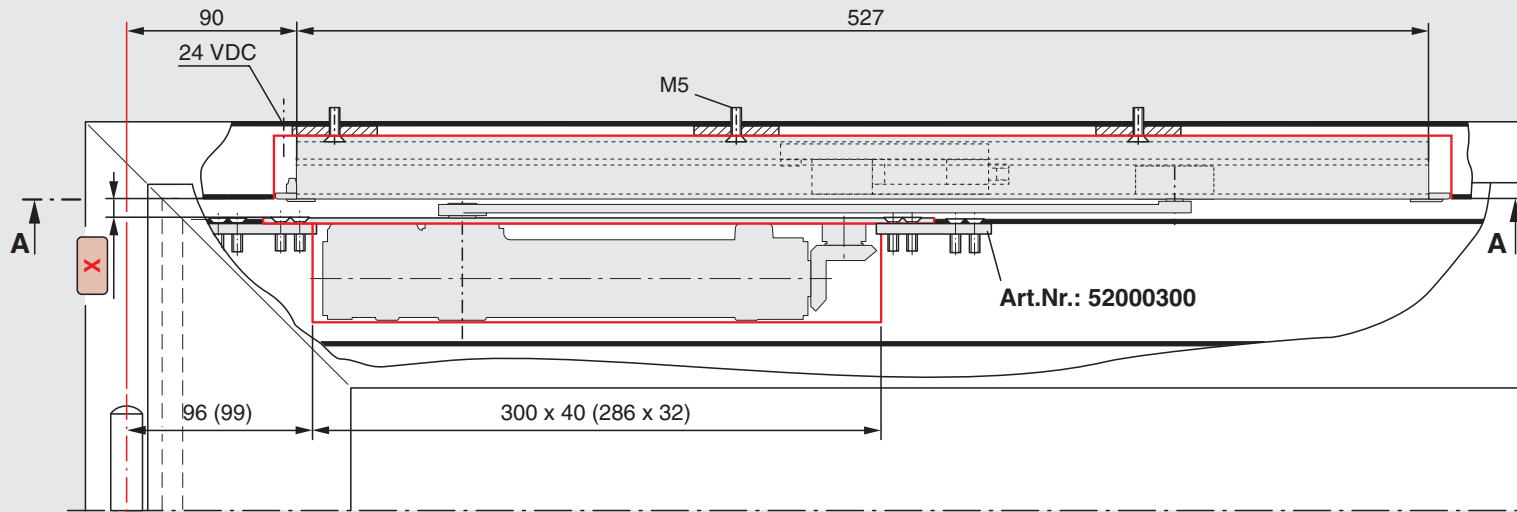
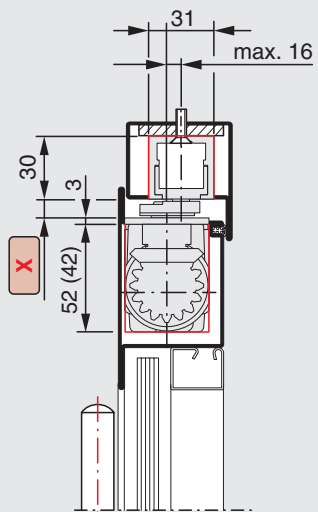
( ) = EN 2-4

R = 8mm



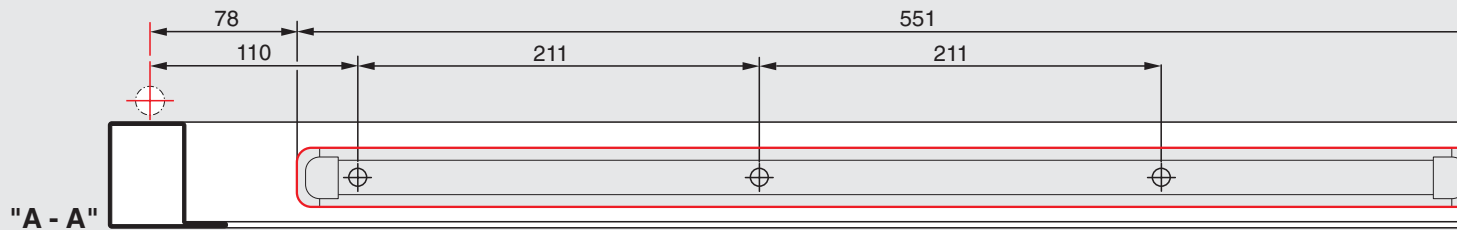
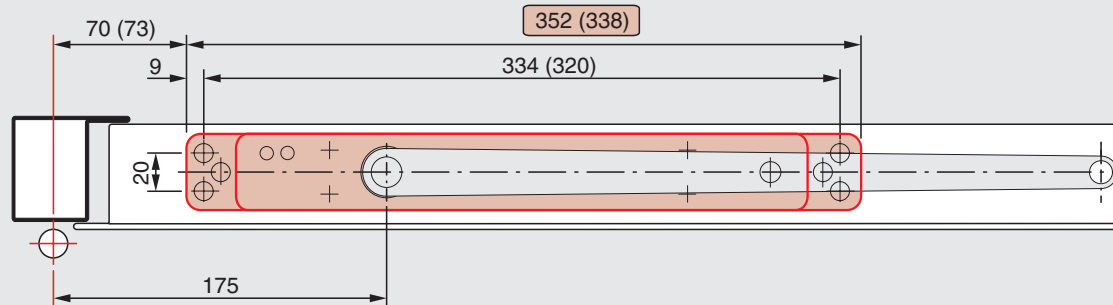
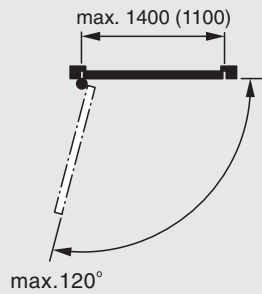
"A - A"

	X	Y
A	8,5	8,5
B	12,0	12,0
C	12,5	8,5
D	16,0	12,0
E	16,5	8,5
F	20,0	12,0



( ) = EN 2-4

— R = 8mm



	X
A	8,5
B	12,0
C	12,5
D	16,0
E	16,5
F	20,0

